

结构特点 Design features

- 单端面、单弹簧、非平衡型、橡胶波纹管结构；
 - 动环靠橡胶波纹管的过盈量传动，结构紧凑，浮动性好；
 - 多规格尺寸设计，应用范围广。
- Single face, single spring, unbalanced, rubber bellows structure.
 - The seal face is driven through the interferential shrink of the rubber piece, close structure, good floating.
 - Many size and specification design, have a wide application range.

材料 Materials(to DIN24960)

- 旋转环 Rotary Ring: B、U1、U2、Q1、Q2
- 静止环 Stationary Ring: U1、U2、Q1、Q2、V1、V2
- 辅助密封 Auxiliary Seal: P、E、V
- 弹簧及其他结构件材料 Spring and Other Parts: F、G



适用范围 Operating limits

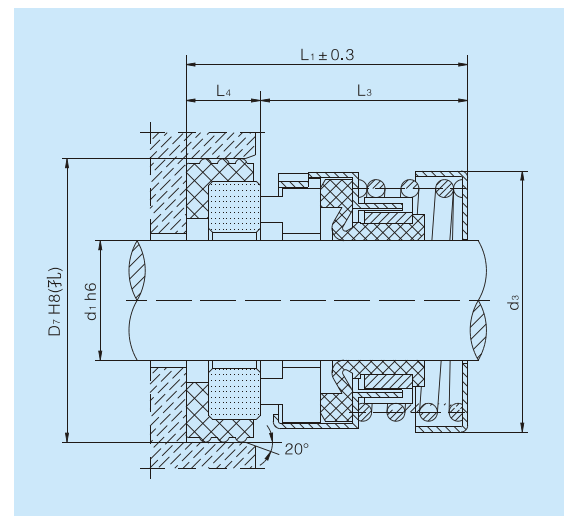
- 压力 Pressure: $\leq 0.8\text{MPa}$
- 温度 Temperature: $-20\sim 150^{\circ}\text{C}$
- 线速度 Speeds: $\leq 10\text{m/sec}$

用途 Applications

适用于冷却泵、离心泵、潜水泵、工业泵等设备。
Used in auto-cooling pumps, centrifugal pumps, submersible pumps and general industrial pumps.

介质 Medium

油类、水及其它弱腐蚀性溶液。
Oil, water and other weak corrosive fluid.



CN 560A

型号 Model	d ₁	d ₃	D ₇	L ₁	L ₃	L ₄
CN 560A-8	8	17.5	21	18.9	13.9	5.0
CN 560A-10	10	21.0	24	23	16.5	6.5
CN 560A-11	11	21.0	24	23	16.5	6.5
CN 560A-12	12	22.8	26	24	17.5	6.5
CN 560A-13	13	22.8	26	24	17.5	6.5
CN 560A-14	14	26.5	28	25	18.0	7.0
CN 560A-15	15	26.5	28	25	18.0	7.0
CN 560A-16	16	26.5	32	27	20.0	7.0
CN 560A-17	17	30.0	32	26	19.0	7.0
CN 560A-18	18	30.0	35	26	19.0	7.0
CN 560A-19	19	30.0	35	26	18.0	8.0
CN 560A-20	20	32.5	38	28	19.5	8.5
CN 560A-22	22	34.0	40	28	20.0	8.0
CN 560A-25	25	40.0	44	29	20.0	9.0
CN 560A-28	28	44.5	46	30	21.0	9.0
CN 560A-30	30	46.5	50	31	22.0	9.0
CN 560A-32	32	46.5	54	33	24.0	9.0
CN 560A-35	35	51.5	58	36	26.0	10.0
CN 560A-38	38	54.0	60	37	27.0	10.0
CN 560A-40	40	58.0	64	38	28.0	10.0
CN 560A-45	45	61.5	66	40	30.0	10.0
CN 560A-50	50	71.0	72	42	32.0	10.0

CN 560B

型号Model	d1	ds	D7	L1	L3	L4
CN 560B-3/8"	9.53	21.0	22.23	28.5	22.2	6.3
CN 560B-1/2"	12.70	22.8	25.40	28.5	22.2	6.3
CN 560B-5/8"	15.88	26.5	31.75	32.5	22.2	10.3
CN 560B-3/4"	19.05	30.0	34.93	32.5	22.2	10.3
CN 560B-7/8"	22.23	34.0	38.10	34.3	24.0	10.3
CN 560B-1"	25.40	40.0	41.28	36.4	25.4	11.0
CN 560B-1 1/8"	28.58	44.5	44.45	38.0	27.0	11.0
CN 560B-1 1/4"	31.75	46.5	47.63	38.0	27.0	11.0
CN 560B-1 3/8"	34.93	51.5	50.80	39.5	28.5	11.0
CN 560B-1 1/2"	38.10	54.0	53.98	39.5	28.5	11.0
CN 560B-1 5/8"	41.28	58.0	60.33	47.7	35.0	12.7
CN 560B-1 3/4"	44.45	61.5	63.50	47.7	35.0	12.7
CN 560B-1 7/8"	47.63	65.5	66.68	50.7	38.0	12.7
CN 560B-2"	50.80	72.0	69.85	50.7	38.0	12.7
CN 560B-2 1/8"	53.98	76.0	76.20	57.3	43.0	14.3
CN 560B-2 1/4"	57.15	79.5	79.38	57.3	43.0	14.3
CN 560B-2 3/8"	60.33	82.5	82.55	60.3	46.0	14.3
CN 560B-2 1/2"	63.50	86.0	85.73	60.3	46.0	14.3
CN 560B-2 5/8"	66.68	92.0	85.73	65.0	49.0	16.0
CN 560B-2 3/4"	69.85	96.0	88.90	65.0	49.0	16.0
CN 560B-2 7/8"	73.03	99.0	95.25	68.5	52.5	16.0
CN 560B-3"	76.20	99.0	98.43	68.5	52.5	16.0

CN 560C

型号Model	d1	ds	D7	L1	L3	L4
CN 560C-16	16	26.5	27	36.0	25.7	10.3
CN 560C-18	18	30.0	33	37.5	27.2	10.3
CN 560C-20	20	34.0	35	37.5	27.2	10.3
CN 560C-22	22	34.0	37	38.2	27.2	11.0
CN 560C-24	24	40.0	39	40.0	29.0	11.0
CN 560C-25	25	40.0	40	40.0	29.0	11.0
CN 560C-28	28	44.5	43	42.5	31.5	11.0
CN 560C-30	30	46.5	45	42.5	31.5	11.0
CN 560C-32	32	46.5	48	42.5	31.5	11.0
CN 560C-33	33	49.0	48	42.5	31.5	11.0
CN 560C-35	35	51.5	50	42.5	31.5	11.0
CN 560C-38	38	54.0	56	45.0	34.0	11.0
CN 560C-40	40	58.0	58	45.0	32.3	12.7
CN 560C-43	43	61.5	61	45.0	32.3	12.7
CN 560C-45	45	61.5	63	45.0	32.3	12.7
CN 560C-48	48	65.5	66	45.0	32.3	12.7
CN 560C-50	50	71.0	70	47.5	34.8	12.7
CN 560C-53	53	74.0	73	47.5	34.0	13.5
CN 560C-55	55	74.0	75	47.5	33.3	14.2
CN 560C-58	58	79.0	78	52.5	38.3	14.2
CN 560C-60	60	81.5	80	52.5	38.3	14.2
CN 560C-63	63	85.5	83	52.5	38.3	14.2
CN 560C-65	65	85.0	85	52.0	36.0	16.0
CN 560C-68	68	91.5	90	52.0	36.0	16.0
CN 560C-70	70	91.5	92	60.0	44.0	16.0
CN 560C-73	73	99.0	93	60.0	44.0	16.0
CN 560C-75	75	99.0	97	60.0	44.0	16.0